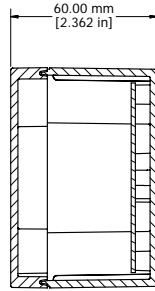
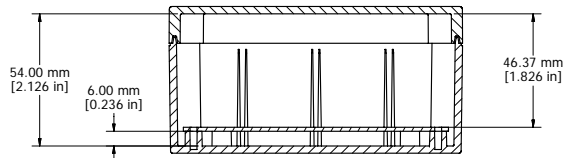
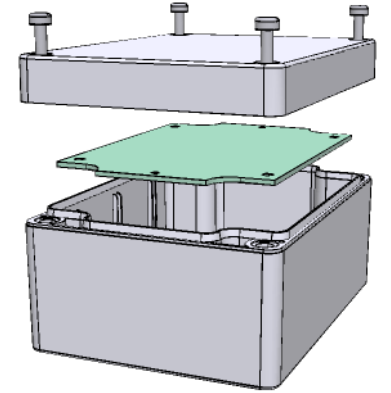


ASSEMBLY

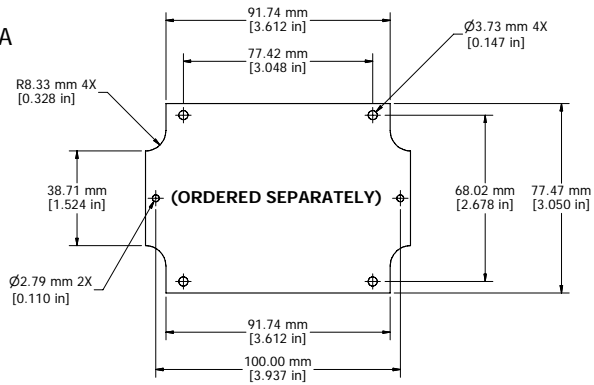


SECTION A-A

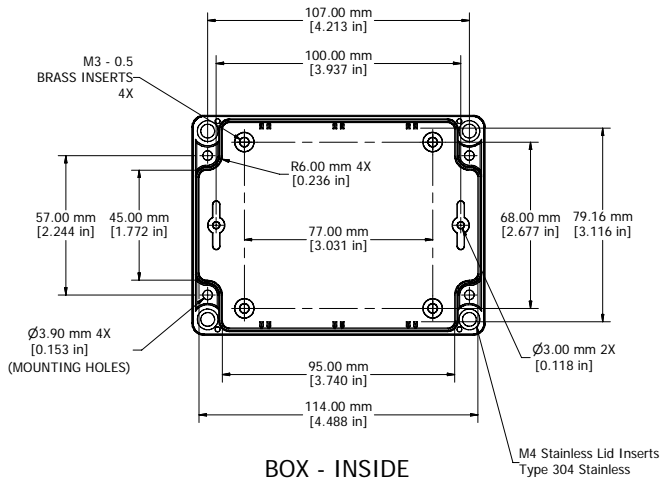
UL US LISTED
File #E65324
NEMA 4, 4X



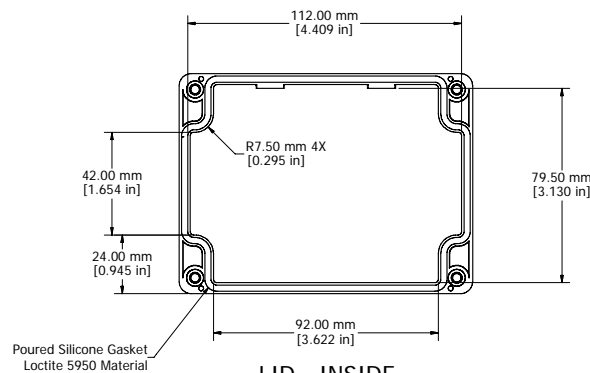
SECTION B-B



STEEL INNER PANEL



BOX - INSIDE



LID - INSIDE

Enclosures can be Factory Modified (Milling, Drilling, Printing etc.)
Solid models of this enclosure available in STEP or IGES.
Contact Factory mjm@hammondmfg.com

| NOTE | |
|--|--|
| Purchased assembly includes box, lid, and 4 cover screws | |
| Recommended Cover screw torque -- 2.5 lbf-in (30 cN-m) | |
| Polycarbonate version is UL 508 approved Mat'l UL94 - V0 / 5VA @ 3mm | |

| 1554F | |
|---|------------|
| 1554F Regular Enclosure | |
| General Purpose ABS RAL-7035 | 1554FGY |
| Polycarbonate RAL-7035 | 1554F2GY |
| 1554F Clear / Smoke Lid Enclosure | |
| Polycarbonate Box / Clear Polycarbonate Lid | 1554F2GYCL |
| Polycarbonate Box / Smoke Polycarbonate Lid | 1554F2GYCL |
| ACCESSORIES | |
| Heavy Duty 16 Gauge Galvanized Steel Panels | 1554FPL |
| Steel Panel / P.C. Board Machine Screw [M3 x 8mm Nickel Plated] | 1591MM100 |
| Steel Panel / P.C. Board Self Tapping Screw [#6 X 1/4" (6.4mm) Nickel Plated] | 1598ATS100 |
| Cover Screws (Pkg 4) [M4 X 20mm Type 304 Stainless Steel] | SC1554 |

HAMMOND MANUFACTURING™
1554F
www.hammondmfg.com